

ILLUSTRATED PARTS LIST

CUSTOMER MODEL NUMBER RP5553

PRODUCT NUMBER 961 41 00-07

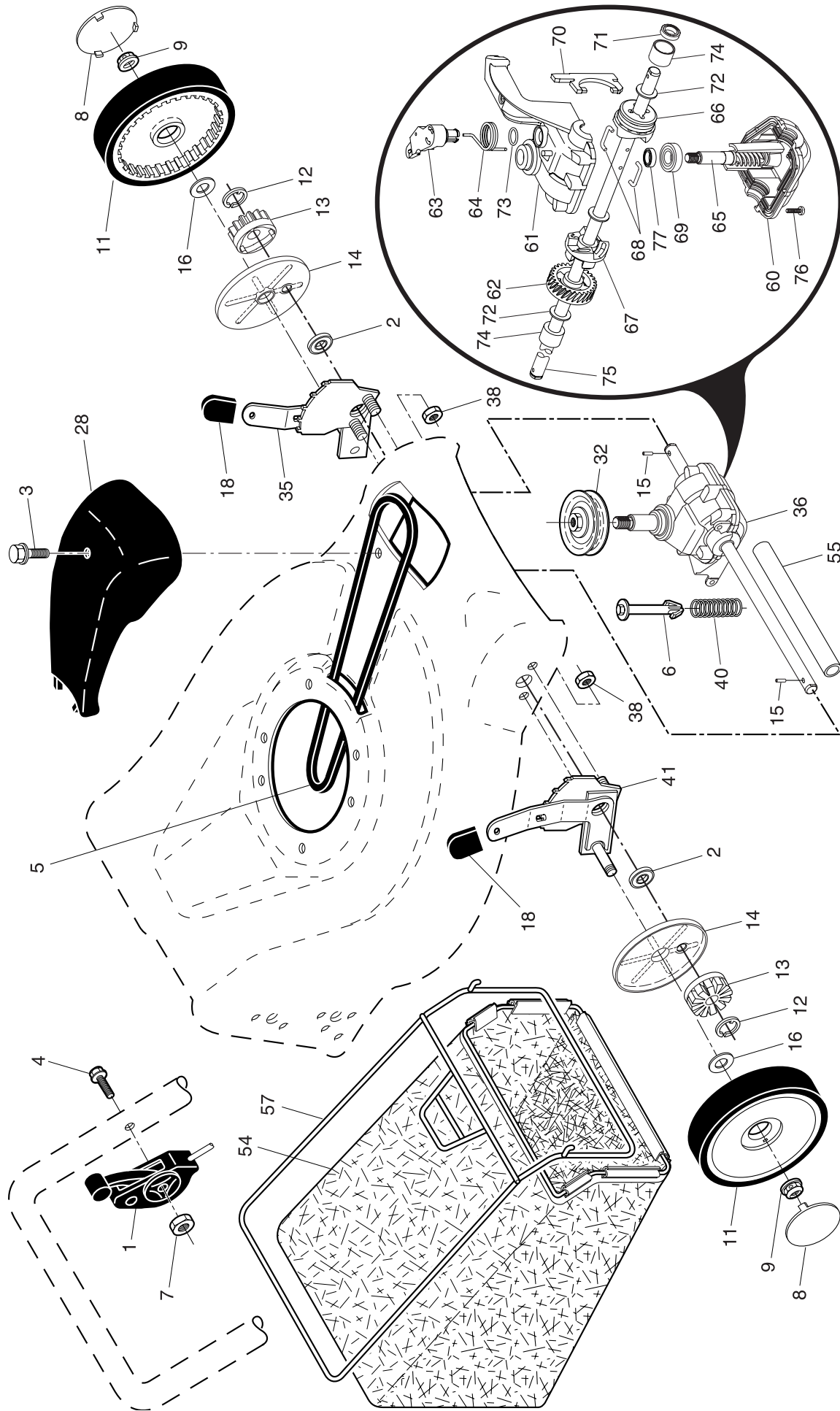
MFG. ID. NUMBER 96141000701

ROTARY LAWN MOWER - - CUSTOMER MODEL NUMBER **RP5553** (MFG. ID. NUMBER 96141000701)

KEY NO.	PART NO.	DESCRIPTION	KEY NO.	PART NO.	DESCRIPTION
1	532 17 80-67	Upper Handle	32	532 18 25-37	Selector Spring
2	532 15 36-05	Lower Handle	33	873 80 05-00	Nut, Hex 5/16-18
3	532 18 99-03	Control Bar	34	532 18 25-42	Axle Arm Assembly, LR
4	532 18 35-67	Engine Zone Control Cable	35	532 19 25-19	Hubcap
5	532 19 15-74	Handle Bolt	36	532 18 41-93	Bolt
6	532 19 19-38	Handle Knob	37	532 15 00-78	Thread Cutting Screw w/Sems 5/16-18 x 3/4
7	532 05 17-93	Hairpin Cotter	38	819 11 22-06	Washer
8	532 06 64-26	Wire Tie	40	532 19 09-39	Mounting Bracket, Debris Shield
9	532 18 04-79	Rear Door Kit (Includes Key Numbers 16 and 17)	41	532 19 23-25	Screw, Debris Shield
10	532 12 84-15	Pop Rivet	43	532 18 87-84	Debris Shield
11	532 18 25-38	Support Bracket, LH	44	532 18 17-97	Lawn Mower Housing
12	532 18 25-39	Support Bracket, RH			(Includes Key Numbers 10, 11, 12 and 45)
13	817 06 04-10	Screw 1/4-20 x 5/8	45	532 18 21-66	Danger Decal
14	532 18 25-43	Handle Bracket Assembly, LH	46	532 18 46-32	Blade Adapter
15	532 18 25-45	Handle Bracket Assembly, RH	47	532 16 58-33	Blade 21"
16	532 18 00-71	Spring, LH	48	532 85 10-74	Hardened Washer
17	532 18 00-72	Spring, RH	49	532 85 02-63	Helical Washer 3/8-24 x 1-3/8 Grade 8
18	532 13 20-04	Keps Locknut 1/4-20	50	532 85 10-84	Hex Head Machine Screw 3/8-24 x 1-3/8 Grade 8
19	532 17 95-85	Rope Guide	59	532 17 50-71	Clipping Deflector
20	532 17 92-05	Foot Guard, C.E.	60	532 17 57-35	Hinge Bracket Assembly
21	532 05 45-83	Screw, Tapping 1/4-20 x 1/2	61	532 17 52-85	Spring
22	532 18 49-41	Engine Pulley	62	532 17 56-50	Rod, Hinge
23	532 18 77-23	Hi-Pro Key	63	873 80 04-00	Locknut 1/4-20
24	---	Engine, Honda, Model Number GCV160 (order parts from engine manufacturer)	64	532 17 50-66	Mulcher Door
25	532 15 04-06	Hex Head Thread Rolling Screw 3/8-16 x 1-1/8	65	532 18 81-52	O-Ring
26	532 08 39-23	Hex Flange Nut	66	532 08 83-48	Washer, Flat 3/8
27	532 18 17-85	Wheel	67	532 19 34-98	Kit, Bushing, High Wheel
28	532 16 08-28	Shoulder Bolt 5/16-18 x .33	68	532 19 36-96	Bushing, Nylon, Black
30	532 18 25-41	Axle Arm Assembly, RR	96	532 19 27-70	Clip, Cable
31	532 17 54-78	Selector Knob	--	532 18 21-34	Decal, Self-Propelled, Internal (not shown)
			--	532 19 48-50	Operator's Manual, European
			--	532 19 48-51	Operator's Manual, Scandinavian

NOTE: All component dimensions given in U.S. inches. 1 inch = 25.4 mm. **IMPORTANT:** Use only Original Equipment Manufacturer (O.E.M.) replacement parts. Failure to do so could be hazardous, damage your lawn mower and void your warranty.

ROTARY LAWN MOWER -- CUSTOMER MODEL NUMBER RP5553 (MFG. ID. NUMBER 96141000701)



ROTARY LAWN MOWER - - CUSTOMER MODEL NUMBER RP5553 (MFG. ID. NUMBER 96141000701)

KEY NO.	PART NO.	DESCRIPTION	KEY NO.	PART NO.	DESCRIPTION
1	532 18 45-87	Control Cable Assembly	54	532 19 48-53	Grassbag Assembly
2	532 16 73-87	Bearing, Wheel Adjuster	55	532 17 57-39	Driveshaft Cover
3	532 17 52-62	Pan Head Tapping Screw #10-24 x 2-3/4	57	532 18 88-15	Frame, Grassbag
4	532 15 87-55	Hex Washer Head Screw 1/4-20 x 2.12	60	532 18 34-97 *	Case, Lower
5	532 17 54-36	V-Belt	61	532 18 34-98 *	Case, Upper
6	532 15 04-95	Spring Retainer	62	532 18 34-99	Gear, 27 Teeth
7	532 19 17-30	Nut, Hex, Flanged 1/4-20	63	532 18 35-00	Lever, Clutch
8	532 16 43-78	Hubcap	64	532 18 35-01	Spring, Return
9	532 14 52-12	Locknut	65	532 18 35-02	Shaft, Input
11	532 18 07-67	Wheel & Tire Assembly	66	532 18 35-03	Dog, Movable
12	812 00 00-58	E-Ring	67	532 18 35-04	Dog, Fixed
13	532 75 00-03	Pinion	68	532 18 35-05	Wire, Formed
14	532 18 94-03	Dust Cover	69	532 18 35-06	Bearing, Ball
15	532 19 10-17	Pawl, Drive	70	532 18 35-07	Fork, Shift
16	532 06 77-25	Washer 1/2 x 1-1/2 x .134	71	532 18 35-08	Seal, Output Shaft
18	532 17 01-43	Selector Knob	72	532 18 35-09	Washer
28	532 18 03-29	Drive Cover	73	532 18 35-10	Seal, Case
32	532 19 41-26	Drive Pulley	74	532 18 35-11	Bushing
35	532 19 51-10	Kit, Wheel Adjuster, LH (Includes Knob and Bearing)	75	532 19 66-13	Shaft, Output
36	532 19 49-35	Gear Case Assembly, Complete	76	532 18 35-13	Screw
38	873 80 04-00	Locknut, Hex 1/4-20	77	532 18 35-14	Seal, Input Shaft
40	532 13 70-90	Spring			
41	532 19 51-07	Kit, Wheel Adjuster, RH (Includes Knob and Bearing)			

* Use Dow Corning #709 to reseal Gear Case Halves.

NOTE: All component dimensions given in U.S. inches. 1 inch = 25.4 mm. **IMPORTANT:** Use only Original Equipment Manufacturer (O.E.M.) replacement parts. Failure to do so could be hazardous, damage your lawn mower and void your warranty.